



Data Sheet 1.51

Issue A



OS&Y Resilient Wedge Flanged Gate Valve

Model: Fig 113.1FF / 113.2FF



General Description

BS5163 type A fire service flanged OS&Y gate valve with fully encapsulated EPDM resilient wedge plus fusion bonded epoxy coated iron body.

Standards /Approvals

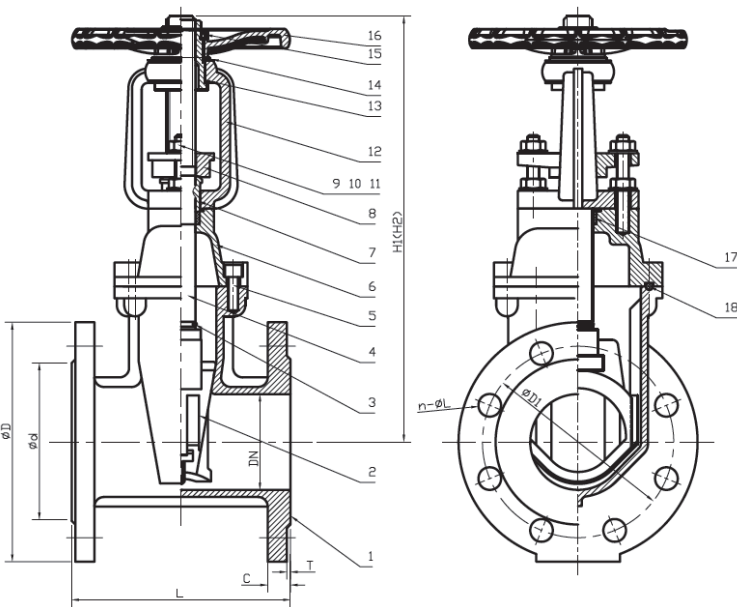
UL Listed (2" - 8") MWP 20.7 bar (300 psi),
 (10" - 12") MWP 17.2 Bar (250 psi)
 FM approved (2" - 12") MWP 16 bar (232 psi)
 Flanged connections to BSEN 1092-2 PN16 raised face
 Epoxy coating in accordance with ANSI/AWWA C550
 Maximum working temperature 80°C (176°F)

Features

Two cast raised drilling bosses
 Countersunk and sealed bonnet bolts
 Low operating torque
 Adjustable stem packing seal
 Stem pre notched to accommodate OSY2 limit switch
 PN10 drilling on request



Material Specification



Number	Part	Specification
1	Valve Body	EN-GJS-450-10
2	Resilient Wedge Disc	EN-GJS-450-10+EPDM
3	O-Ring	NBR
4	Stem	SS304
5	Bolt	SS316
6	Bonnet	EN-GJS-450-10
7	Stem Bushing	Brass Hpb59-1
8	Gland	EN-GJS-450-10
9	Flat Washer	SS316
10	Stud	SS316
11	Nut	SS316
12	Yoke	EN-GJS-450-10
13	Stem Nut	Brass Hpb59-1
14	Washer	Brass Hpb59-1
15	Locknut	Carbon Steel Zinc Plated
16	Handwheel	EN-GJS-450-10
17	Stem Packing	EPDM
18	Bonnet Gasket	EPDM

Dimensions

DN		PN	Dimensions (mm)									Weight (kgs)
Inch	mm		L	H1 (Close)	H2 (Open)	D	D1	d	C	T	n-ØL	
2	50	16	178	323	373	165	125	99	19	3	4-Ø19	15.91
2 1/2	65	16	190	343	408	185	145	118	19	3	4-Ø19	18.19
3	80	16	203	370	450	200	160	132	19	3	8-Ø19	23.02
4	100	16	229	442	542	220	180	156	19	3	8-Ø19	30.60
5	125	16	254	541	665	250	210	184	19	3	8-Ø19	40.87
6	150	16	267	608	758	285	240	211	19	3	8-Ø23	52.80
8	200	16	292	720	920	340	295	266	20	3	12-Ø23	88.90
10	250	16	330	940	1190	405	355	319	22	3	12-Ø28	131.99
12	300	16	356	1065	1370	460	410	370	24.5	4	12-Ø28	182.47

DS: 1.51
 Issue A
 14/09/2015
 © 2015 Rapidrop

Rapidrop Global Ltd
 T: +44 (0) 1733 847 510 F: +44 (0) 1733 553 958
 e: rapidrop@rapidrop.com
 w: www.rapidrop.com