



# Data Sheet 1.28 Issue B



## Wafer Butterfly Valve PN20/300PSI Model: 203

### Product Description

Gear operator with two internal CE approved switches with 1 meter flying lead. One switch indicates upon opening, the second switch indicates upon closing. Supplied complete with 300mm chain and padlock to secure the handwheel to the valve body. External extended bolts to adjust open/close position of the disc.

### Standards

Flange Type complies with BS EN 1092-2, PN16, ANSI B16.1 Class 125/150  
Face to face complies with EN 558 series 20  
Top Flange complies with ISO5 211/1

### Test/Approvals

Complies with EN 593/BS 5155/MSS SP-67

### Working Pressure & Temperature

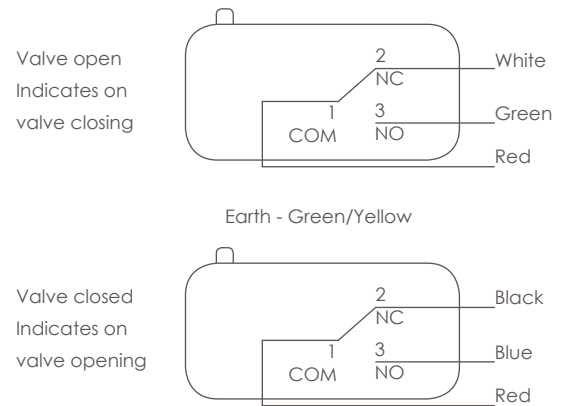
Working pressure PN20/300PSI.  
Temperature from -10°C to 100°C for EPDM Seat.



### Material Specification

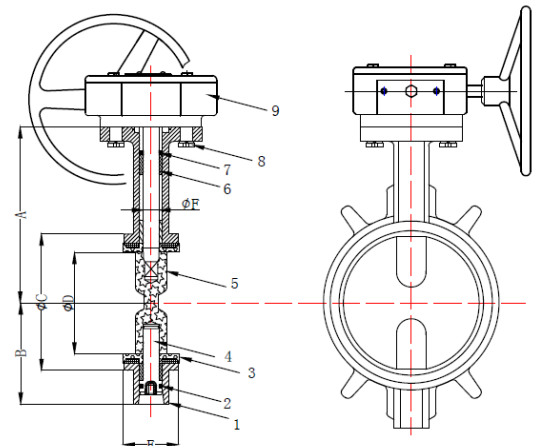
Part Name	Material	EN Spec	ASTM Spec
Body	Ductile Iron	EN-JS1050	A 536 65-45-12
Shaft	Stainless Steel	BS970 420S37	AISI 416
Disc	DI + NI	EN-JS1050	ASTM A536 65-45-12
Seat	EPDM Insert	EN-JS1050	A 536 65-45-12
Bushing	PTFE	Commercial	Commercial
O-Ring	NBR	Commercial	Commercial

### Wiring Diagram



### Dimensions

Size	A mm	B mm	ØC mm	ØD mm	E mm	ØF mm
DN50	116	80	90	76	43	12.7
DN65	175	89	104	89	46	12.7
DN80	181	95	119	103.9	46	12.7
DN100	200	114	156	135	52	15.9
DN125	213	127	183	158.7	56	19.1
DN150	226	145	211	188.4	56	19.1
DN200	260	175	260	238.2	60	22.2
DN250	292	220	318	292.4	68	28.6
DN300	337	242	377	344.2	78	31.8



100mm (flag height) supplied as standard. 35mm available on request