



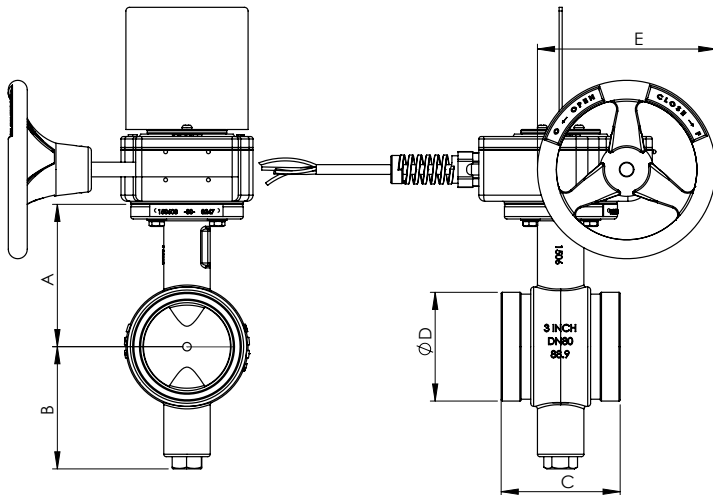
Grooved Butterfly Valve PN20/300PSI Model: 204

Product Description

Rapidrop Figure 204 Grooved Butterfly Valve is a rotary type valve with a visual indication (flag height 100mm) whether the valve is in fully open position or not. Butterfly valves are commonly used in fire protection systems as system control valves, sectional or pump water control valves.

These valves have been designed with minimum flow restriction and pressure loss when in fully open position. To reduce the risk of a water hammer Rapidrop Butterfly Valves are provided with a slow close hand wheel operated gearbox.

Valves supplied as standard with gear operator with two internal CE approved switches with 1 meter flying lead. One switch indicates upon opening, the second switch indicates upon closing. External extended bolts to adjust open/close position of the disc. The valve can be supplied with padlock and chain for APSAD requirements.



Dimensions

Maximum Working Pressure

20.7 bar (300 PSI)

Temperature Range

-10°-100°C (EPDM Seat)

Connections

Groove to ISO6182 / AWWA C606

Gearbox Mounting Flange

ISO 5211

Sizes		Dimensions (mm)					Weight (kg)	Product Ordering Code
inch	mm	A	B	C	D	E		
2"	DN50	100	70	82.4	60.3	142	7.6	RD204-050APSAD
2.5"	DN65	106	75	96.8	73.0	142	7.7	RD204-065APSAD
2.5"	DN65	106	75	96.8	76.1	142	7.7	RD204-076APSAD
3"	DN80	112.5	82	96.8	88.9	142	8.1	RD204-080APSAD
4"	DN100	135	100	116	114.3	142	10.3	RD204-100APSAD
5"	DN125	148.7	119	147.6	139.7	142	12.6	RD204-125APSAD
6"	DN150	176	119	147.6	165.1	142	15.4	RD204-150APSAD
6"	DN150	176	130	147.6	168.3	142	15.4	RD204-168APSAD
8"	DN200	204	162	133.4	216.3	177	19.4	RD204-200APSAD
10"	DN250	228	200	158.8	267.4	274	31.8	RD204-250APSAD
12"	DN300	266.2	224	163.6	318.5	274	42.0	RD204-300APSAD



Grooved Butterfly Valve

PN20/300PSI

Model: 204

Installation

Rapidrop Figure 204 Grooved Butterfly Valve is suitable for indoor and outdoor use. The valve may be installed in any position and the flow may be from either direction through the valve. Valves should be supported independently to prevent the movement and stresses from the connecting piping system.

1. Ensure that the valve is in closed or almost closed position.
2. Visually inspect the valve, make sure the seating area is not damaged and that the connecting faces are clean of debris and any foreign materials.
3. Using appropriate grooved couplings connect the valve with adjacent pipe or fitting. Follow the instructions supplied by the manufacturer of the couplings.
4. Check the operation by fully opening and closing the valve.

Care and Maintenance

Rapidrop butterfly valves require no regular maintenance, however it is advisable to inspect and verify proper operation of the unit annually or in accordance with the authority having jurisdiction.

The inspection should include a visual check for leakage at the pipe connection and body to gearbox connection. Inspection and maintenance should be performed by a competent person in accordance with national codes/ requirements.

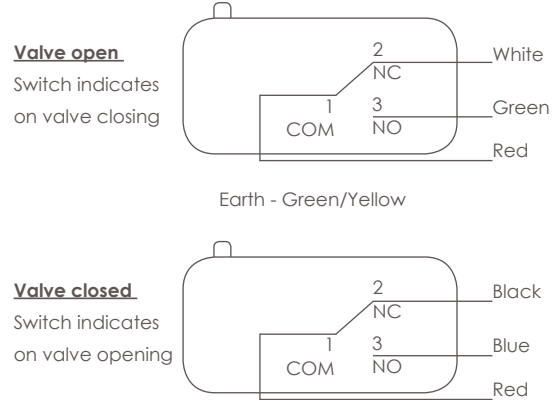
Debris in the piping system might cause difficulties in closing the valve, this problem can be fixed by backing off the handwheel and closing the valve again.

Rapidrop Figure 204 Grooved Butterfly Valves are suitable for both indoor and outdoor use. Minor degradations of surface finish should not affect the performance of the valve.

The valve should never be forced to seat by applying a wrench to the hand wheel as this may distort the valve components. The use of excessive force to open or close the valve violates all warranties.

The valve should not be used to force a pipeline into position as this may result in the distortion of the valve body.

Wiring Diagram



Material Specification

Part Name	Material	EN Spec	ASTM Spec
Body	Ductile Iron	EN-JS1050	A 536 65-45-12
Shaft	Stainless Steel	BS970 420S37	AISI 416
Disc	DI EPDM Coated	EN-JS1050	A536 65-45-12
O-Ring	NBR	Commercial	Commercial
Handwheel Shaft	Stainless Steel	BS970 420S37	AISI 416

Important Installation Information

- Rapidrop Figure 204 Grooved Butterfly Valve must only be installed by a competent person in accordance with requirements of the local authority having jurisdiction. Deviations from these standards will invalidate warranty.
- It is the responsibility of the installing contractor to include a copy of this document in the sprinkler system installation, operating and maintenance manual.
- Alterations to Rapidrop products will void any warranty.
- Figure 204 Grooved Butterfly Valve should be inspected and maintained during routine sprinkler system inspections by a competent person in accordance with national codes/requirements.
- Failure to follow these instructions could cause improper operation, resulting in personal injury and/or property damage.
- For further details and technical support please contact your Rapidrop sales representative.